



Figur type

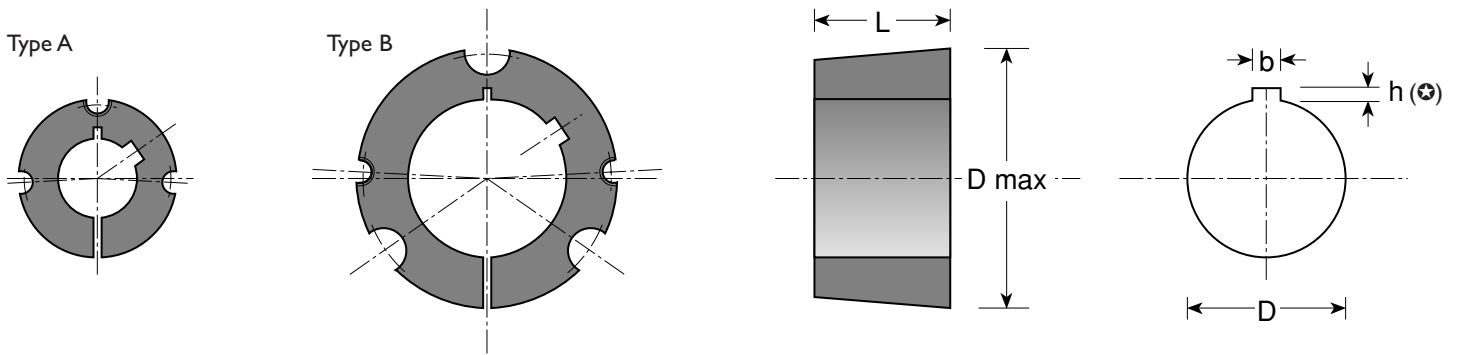
	1008	1108	1210	1215	1310	1610	1615	2012	2017	2517	2525	3020	3030	3525	3535	4030	4040	4535	4545	5040	5050	
	A	A	A	A	A	A	A	A	A	A	A	A	A	B	B	B	B	B	B	B	B	B
Vægt v/Weight by/ Gewicht b. Ø D min kg	0,12	0,16	0,28	0,39	0,32	0,42	0,61	0,75	0,90	1,10	2,25	2,61	3,80	3,90	5,25	7,10	7,80	11,80	12,80	14,20	15,30	
D max mm	35,0	38,0	47,5	47,5	50,5	57,0	57,0	70,0	70,0	85,5	85,5	108,0	108,0	127,0	127,0	146,0	146,0	162,0	162,0	177,5	177,5	
L mm	22,3	22,3	25,4	38,1	25,4	25,4	38,1	31,8	44,5	44,5	63,5	50,8	76,2	63,5	88,9	76,2	101,6	88,9	114,3	101,6	127,0	
Indv.seksk.bolt/Hex. Socket Screw/Innen- sechskantschraube	1/4 x 1/2	1/4 x 1/2	3/8 x 5/8	3/8 x 5/8	3/8 x 5/8	3/8 x 5/8	3/8 x 5/8	7/16 x 7/8	7/16 x 7/8	1/2 x 1	1/2 x 1	5/8 x 1 1/4	5/8 x 1 1/4	1/2 x 1 1/2	1/2 x 1 1/2	5/8 x 1 3/4	5/8 x 1 3/4	3/4 x 2	3/4 x 2	7/8 x 2 1/4	7/8 x 2 1/4	
Nøgle/Wrench/ Schlüssel	No.	3	3	5	5	5	5	6	6	6	6	8	8	10	10	1/2"	1/2"	9/16"	9/16"	9/16"	9/16"	
Moment Nm		5,7	5,7	20	20	20	20	31	31	49	49	92	92	115	115	172	172	195	195	275	275	

Ø D	B	H (⊕)	1008	1108	1210	1215	1310	1610	1615	2012	2017	2517	2525	3020	3030	3525	3535	4030	4040	4535	4545	5040	5050
mm	mm	mm																					
F 8	H 9																						
9	3	1,4	●	●																			
10	3	1,4	●	●																			
11	4	1,8	●	●	●	●																	
12	4	1,8	●	●	●	●	●	●	●														
14	5	2,3	●	●	●	●	●	●	●	●	●												
15	5	2,3	●	●	●	●	●	●	●	●	●												
16	5	2,3	●	●	●	●	●	●	●	●	●												
18	6	2,8	●	●	●	●	●	●	●	●	●												
19	6	2,8	●	●	●	●	●	●	●	●	●	●	●										
20	6	2,8	●	●	●	●	●	●	●	●	●	●	●										
22	6	2,8	●	●	●	●	●	●	●	●	●	●	●										
24	8	3,3(1,3)	★	●	●	●	●	●	●	●	●	●	●										
25	8	3,3(1,3)	★	●	●	●	●	●	●	●	●	●	●	●	●								
28	8	3,3(1,3)		★	●	●	●	●	●	●	●	●	●	●	●	●	●						
30	8	3,3			●	●	●	●	●	●	●	●	●	●	●	●	●						
32	10	3,3			●	●	●	●	●	●	●	●	●	●	●	●	●						
35	10	3,3(1,3)					★	●	●	●	●	●	●	●	●	●	●						
38	10	3,3						●	●	●	●	●	●	●	●	●	●						
40	12	3,3						●	●	●	●	●	●	●	●	●	●	●	●				
42	12	3,3(1,3)						●	★	●	●	●	●	●	●	●	●	●	●				
45	14	3,8								●	●	●	●	●	●	●	●	●	●				
48	14	3,8								●	●	●	●	●	●	●	●	●	●				
50	14	3,8								●	●	●	●	●	●	●	●	●	●				
55	16	4,3									●	●	●	●	●	●	●	●	●	●	●		
60	18	4,4										●	●	●	●	●	●	●	●	●	●	●	
65	18	4,4(2,3)										●	★	●	●	●	●	●	●	●	●	●	
70	20	4,9												●	●	●	●	●	●	●	●	●	●
75	20	4,9												●	●	●	●	●	●	●	●	●	●
80	22	5,4														●	●	●	●	●	●	●	●
85	22	5,4														●	●	●	●	●	●	●	●
90	25	5,4														●	●	●	●	●	●	●	●
95	25	5,4															●	●	●	●	●	●	●
100	28	6,4																●	●	●	●	●	●
105	28	6,4																	●	●	●	●	●
110	28	6,4																		●	●	●	●
115	32	7,4																				●	●
120	32	7,4																				●	●
125	32	7,4																				●	●

TAPER BØSNINGER / TOMMER

TAPER BUSHES / IMPERIAL

TAPER BUCHSEN / ZÖLLIG



Ø D inch F 8	B inch H 9	H (⊕) inch	1008	1108	1210	1215	1310	1610	1615	2012	2017	2517	2525	3020	3030	3525	3535	4030	4040	4535	4545	5040	5050
3/8	1/8	1/16	●	●																			
7/16	1/8	1/16	●	●																			
1/2	1/8	1/16	●	●	●	●	●	●	●														
9/16	3/16	3/32	●	●	●	●	●	●	●														
5/8	3/16	3/32	●	●	●	●	●	●	●														
11/16	3/16	3/32	●	●	●	●	●	●	●														
3/4	3/16	3/32	●	●	●	●	●	●	●	●	●	●											
13/16	1/4	1/8	●	●	●	●	●	●	●	●	●	●											
7/8	1/4	1/8	●	●	●	●	●	●	●	●	●	●	●										
15/16	1/4	1/8 (1/16)	★	●	●	●	●	●	●	●	●	●	●										
1	1/4	1/8 (1/16)	★	●	●	●	●	●	●	●	●	●	●										
1 1/16	5/16	1/8 (5/64)		★	●	●	●	●	●	●	●	●	●										
1 1/8	5/16	1/8 (5/64)		★	●	●	●	●	●	●	●	●	●										
1 3/16	5/16	1/8			●	●	●	●	●	●	●	●	●										
1 1/4	5/16	1/8			●	●	●	●	●	●	●	●	●	●	●								
1 5/16	3/8	1/8					●	●	●	●	●	●	●	●	●								
1 3/8	3/8	1/8					●	●	●	●	●	●	●	●	●								
1 7/16	3/8	1/8						●	●	●	●	●	●	●	●								
1 1/2	3/8	1/8						●	●	●	●	●	●	●	●	●	●						
1 5/8	7/16	5/32 (1/8)						●	★	●	●	●	●	●	●	●	●						
1 3/4	7/16	5/32								●	●	●	●	●	●	●	●	●	●	●	●	●	●
1 7/8	1/2	5/32								●	●	●	●	●	●	●	●	●	●	●	●	●	●
2	1/2	5/32								●	●	●	●	●	●	●	●	●	●	●	●	●	●
2 1/8	5/8	7/32										●	●	●	●	●	●	●	●	●	●	●	●
2 1/4	5/8	7/32										●	●	●	●	●	●	●	●	●	●	●	●
2 3/8	5/8	7/32										●	●	●	●	●	●	●	●	●	●	●	●
2 1/2	5/8	7/32										●	●	●	●	●	●	●	●	●	●	●	●
2 5/8	3/4	1/4											●	●	●	●	●	●	●	●	●	●	●
2 3/4	3/4	1/4											●	●	●	●	●	●	●	●	●	●	●
2 7/8	3/4	1/4											●	●	●	●	●	●	●	●	●	●	●
3	3/4	1/4												●	●	●	●	●	●	●	●	●	●
3 1/8	7/8	5/16													●	●	●	●	●	●	●	●	●
3 1/4	7/8	5/16														●	●	●	●	●	●	●	●
3 3/8	7/8	5/16														●	●	●	●	●	●	●	●
3 1/2	7/8	5/16 (1/4)														★	★	●	●	●	●	●	●
3 3/4	1	3/8 (1/4)																★	★	●	●	●	●
4	1	3/8 (1/4)																	★	★	●	●	●
4 1/4	1 1/4	7/16 (1/4)																		★	★	●	●
4 1/2	1 1/4	7/16 (1/4)																		★	★	●	●
4 3/4	1 1/4	7/16																			★	★	●
5	1 1/4	7/16 (5/16)																				★	★