

Stångtätning

Typ SI

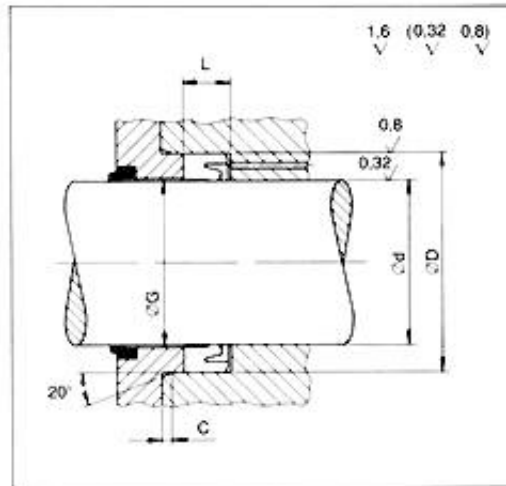


Typ SI, kort inbyggnad

Material:
Polyurethan 94° Shore A

Montering i slutna spår kan ske om förhållandena mellan sektion och diameter är $\frac{D}{(D-d) \times 0,5} \geq 9$

TOLERANSER		$\varnothing d$	C
$\varnothing D$	JS 11	<60	4
$\varnothing d$	E8/h9	60 - 120	5
L	+0,25 0	120 - 180	6,5
$\varnothing G$ max.	$\varnothing d$ max. +0,2	180 - 250	7,5
		250 - 450	10



Æ d	Æ D	L	Benämning	ISO	Æ d	Æ D	L	Benämning	ISO
6,0	14,0	6,3	SI 6/14x5,7	ISO	61,0	69,0	8,5	SI 61/69x7,7	
8,0	16,0	6,3	SI 8/16x5,7	ISO	62,0	74,0	14,0	SI 62/74x13,0	
8,0	18,0	9,0	SI 8/18x8,0		63,0	73,0	11,0	SI 63/73x10,0	
10,0	18,0	6,3	SI 10/18x5,7	ISO	63,0	73,0	13,0	SI 63/73x12,0	
10,0	20,0	8,0	SI 10/20x7,2	ISO	63,0	78,0	11,0	SI 63/78x10,0	
10,0	20,0	9,0	SI 10/20x8,0		63,0	78,0	12,5	SI 63/78x11,5	ISO
12,0	20,0	6,3	SI 12/20x5,7	ISO	63,0	78,0	13,0	SI 63/78x12,0	
12,0	22,0	8,0	SI 12/22x7,2	ISO	63,0	83,0	13,0	SI 63/83x12,0	
12,0	22,0	9,0	SI 12/22x8,0		63,0	83,0	14,5	SI 63/83x13,5	
14,0	22,0	6,3	SI 14/22x5,7	ISO	63,0	83,0	16,0	SI 63/83x15,0	ISO
14,0	24,0	8,0	SI 14/24x7,2	ISO	65,0	75,0	11,0	SI 65/75x10,0	
14,0	24,0	9,0	SI 14/24x8,0		65,0	75,0	13,0	SI 65/75x12,0	
15,0	23,0	6,3	SI 15/23x5,7		65,0	75,0	14,5	SI 65/75x13,5	
15,0	25,0	9,0	SI 15/25x8,0		65,0	77,0	10,0	SI 65/77x9,0	
16,0	24,0	6,3	SI 16/24x5,7	ISO	65,0	80,0	11,0	SI 65/80x10,0	
16,0	24,0	7,0	SI 16/24x6,3		65,0	80,0	13,0	SI 65/80x12,0	
16,0	26,0	8,0	SI 16/26x7,2	ISO	65,0	85,0	13,0	SI 65/85x12,0	
16,0	26,0	9,0	SI 16/26x8,0		65,0	85,0	14,5	SI 65/85x13,5	
16,0	26,0	10,0	SI 16/26x9,0		70,0	80,0	6,5	SI 70/80x5,7	
18,0	24,0	5,2	SI 18/24x4,5		70,0	80,0	8,0	SI 70/80x7,2	

18,0	26,0	6,3	SI 18/26x5,7	ISO	70,0	80,0	11,0	SI 70/80x10,0	
18,0	26,0	9,0	SI 18/26x8,0		70,0	80,0	13,0	SI 70/80x12,0	
18,0	28,0	8,0	SI 18/28x7,2	ISO	70,0	85,0	11,0	SI 70/85x10,0	
18,0	28,0	9,0	SI 18/28x8,0		70,0	85,0	12,5	SI 70/85x11,5	ISO
20,0	26,0	5,5	SI 20/26x5,0		70,0	85,0	13,0	SI 70/85x12,0	
20,0	28,0	6,3	SI 20/28x5,7	ISO	70,0	90,0	13,0	SI 70/90x12,0	
20,0	28,0	7,0	SI 20/28x6,3		70,0	90,0	14,5	SI 70/90x13,5	
20,0	28,0	8,0	SI 20/28x7,2		70,0	90,0	16,0	SI 70/90x15,0	ISO
20,0	30,0	8,0	SI 20/30x7,2	ISO	75,0	85,0	8,0	SI 75/85x7,2	
20,0	30,0	9,0	SI 20/28x8,0		75,0	85,0	13,0	SI 75/85x12,0	
20,0	30,0	11,0	SI 20/30x10,0		75,0	90,0	11,0	SI 75/90x10,0	
22,0	30,0	6,3	SI 22/30x5,7	ISO	75,0	90,0	13,0	SI 75/90x12,0	
22,0	32,0	8,0	SI 22/32x7,2	ISO	75,0	95,0	13,0	SI 75/95x12,0	
22,0	32,0	9,0	SI 22/32x8,0		75,0	95,0	14,5	SI 75/95x13,5	
22,0	32,0	11,0	SI 22/32x10,0		76,0	84,0	8,5	SI 76/84x7,7	
24,0	34,0	8,0	SI 24/34x7,2		80,0	90,0	8,0	SI 80/90x7,2	
24,0	34,0	9,5	SI 24/34x8,5		80,0	90,0	13,0	SI 80/90x12,0	
25,0	33,0	6,3	SI 25/33x5,7	ISO	80,0	90,0	15,0	SI 80/90x14,0	
25,0	33,0	7,0	SI 25/33x6,3		80,0	95,0	11,0	SI 80/95x10,0	
25,0	33,0	8,0	SI 25/33x7,2		80,0	95,0	12,5	SI 80/95x11,5	ISO
25,0	33,0	11,0	SI 25/33x10,0		80,0	95,0	13,0	SI 80/95x12,0	
25,0	35,0	8,0	SI 25/35x7,2	ISO	80,0	100,0	13,0	SI 80/100x12,0	
25,0	35,0	9,0	SI 25/35x8,0		80,0	100,0	14,5	SI 80/100x13,5	
25,0	35,0	11,0	SI 25/35x10,0		80,0	100,0	16,0	SI 80/100x15,0	ISO
25,0	38,0	10,0	SI 25/38x9,0		85,0	95,0	8,0	SI 85/95x7,2	
25,0	40,0	11,0	SI 25/40x10,0		85,0	100,0	12,0	SI 85/100x11,0	
28,0	36,0	6,3	SI 28/36x5,7		85,0	100,0	13,0	SI 85/100x12,0	
28,0	38,0	8,0	SI 28/38x7,2	ISO	85,0	105,0	13,0	SI 85/105x12,0	
28,0	38,0	9,0	SI 28/38x8,0		85,0	105,0	14,5	SI 85/105x13,5	
28,0	38,0	11,0	SI 28/38x10,0		90,0	100,0	12,5	SI 90/100x11,5	
28,0	40,0	9,5	SI 28/40x8,5		90,0	105,0	9,5	SI 90/105x8,5	
28,0	43,0	12,5	SI 28/43x11,5	ISO	90,0	105,0	10,5	SI 90/105x9,5	
30,0	38,0	6,3	SI 30/38x5,7		90,0	105,0	12,5	SI 90/105x11,5	ISO
30,0	38,0	9,0	SI 30/38x8,0		90,0	105,0	13,0	SI 90/105x12,0	
30,0	40,0	6,3	SI 30/40x5,7		90,0	110,0	13,0	SI 90/110x12,0	
30,0	40,0	8,0	SI 30/40x7,2		90,0	110,0	16,0	SI 90/110x15,0	ISO
30,0	40,0	10,5	SI 30/40x9,5		91,0	99,0	8,5	SI 91/99x7,7	

30,0	40,0	11,0	SI 30/40x10,0			93,0	104,0	11,0	SI 93/104x10,0	
30,0	43,0	10,0	SI 30/43x9,0			95,0	105,0	11,0	SI 95/105x10,0	
30,0	45,0	9,0	SI 30/45x8,0			95,0	115,0	13,0	SI 95/115x12,0	
30,0	45,0	11,0	SI 30/45x10,0			100,0	110,0	15,0	SI 100/110x14,0	
32,0	40,0	6,3	SI 32/40x5,7			100,0	113,0	13,5	SI 100/113x12,5	
32,0	40,0	9,0	SI 32/40x8,0			100,0	115,0	11,5	SI 100/115x10,5	
32,0	42,0	8,0	SI 32/42x7,2	ISO		100,0	115,0	13,0	SI 100/115x12,0	
32,0	42,0	11,0	SI 32/42x10,0			100,0	120,0	13,0	SI 100/120x12,0	
32,0	45,0	10,5	SI 32/45x9,5			100,0	120,0	14,5	SI 100/120x13,5	
32,0	47,0	12,5	SI 32/47x11,5	ISO		100,0	120,0	16,0	SI 100/120x15,0	ISO
33,0	43,0	11,0	SI 33/43x10,0			100,0	125,0	20,0	SI 100/125x19,0	ISO
35,0	43,0	6,3	SI 35/43x5,7			105,0	115,0	11,0	SI 105/115x10,0	
35,0	43,0	9,0	SI 35/43x8,0			105,0	115,0	12,5	SI 105/115x11,5	
35,0	45,0	8,0	SI 35/45x7,2			105,0	115,0	14,5	SI 105/115x13,5	
35,0	45,0	11,0	SI 35/45x10,0			105,0	125,0	13,0	SI 105/125x12,0	
35,0	45,0	13,0	SI 35/45x12,0			110,0	125,0	12,0	SI 110/125x11,0	
35,0	46,0	9,0	SI 35/46x8,0			110,0	125,0	16,0	SI 110/125x15,0	
35,0	46,0	10,0	SI 35/46x9,0			110,0	130,0	13,0	SI 110/130x12,0	
35,0	50,0	11,0	SI 35/50x10,0			110,0	130,0	16,0	SI 110/130x15,0	ISO
35,0	55,0	13,0	SI 35/50x12,0			110,0	135,0	20,0	SI 110/135x19,0	ISO
36,0	46,0	8,0	SI 36/46x7,2	ISO		115,0	135,0	13,0	SI 115/135x12,0	
36,0	46,0	11,0	SI 36/46x10,0			120,0	130,0	8,0	SI 120/130x7,2	
36,0	48,0	9,0	SI 36/48x8,0			120,0	130,0	12,5	SI 120/130x11,5	
36,0	51,0	11,0	SI 36/51x10,0			120,0	132,0	11,0	SI 120/132x10,0	
36,0	51,0	12,5	SI 36/51x11,5	ISO		120,0	135,0	12,5	SI 120/135x11,5	

37,0	45,0	6,3	SI 37/45x5,7			120,0	135,0	16,0	SI 120/135x15,0	
38,0	45,0	5,5	SI 38/45x5,0			120,0	140,0	13,0	SI 120/140x12,0	
38,0	45,0	7,0	SI 38/45x6,3			120,0	140,0	16,0	SI 120/140x15,0	
40,0	48,0	6,3	SI 40/48x5,7			125,0	145,0	13,0	SI 125/145x12,0	
40,0	50,0	8,0	SI 40/50x7,2	ISO		125,0	145,0	16,0	SI 125/145x15,0	ISO
40,0	50,0	11,0	SI 40/50x10,0			125,0	150,0	15,0	SI 125/150x14,0	
40,0	50,0	13,5	SI 40/50x12,5			125,0	150,0	20,0	SI 125/150x19,0	ISO
40,0	52,0	9,0	SI 40/52x8,0			125,0	155,0	19,0	SI 125/155x18,0	
40,0	55,0	11,0	SI 40/55x10,0			130,0	140,0	8,0	SI 130/140x7,2	
40,0	55,0	12,5	SI 40/55x11,5	ISO		130,0	145,0	15,0	SI 130/145x14,0	
40,0	60,0	13,0	SI 40/60x12,0			130,0	145,0	16,0	SI 130/145x15,0	
45,0	53,0	6,3	SI 45/53x5,7			130,0	150,0	13,0	SI 130/150x12,0	
45,0	53,0	11,0	SI 45/53x10,0			130,0	150,0	16,0	SI 130/150x15,0	
45,0	53,0	13,0	SI 45/53x12,0			140,0	150,0	12,5	SI 140/150x11,5	
45,0	55,0	8,0	SI 45/55x7,2	ISO		140,0	155,0	13,0	SI 140/155x12,0	
45,0	55,0	11,0	SI 45/55x10,0			140,0	160,0	13,0	SI 140/160x12,0	
45,0	58,0	10,0	SI 45/58x9,0			140,0	160,0	14,5	SI 140/160x13,5	
45,0	60,0	11,0	SI 45/60x10,0			140,0	160,0	16,0	SI 140/160x15,0	ISO
45,0	60,0	12,5	SI 45/60x11,5	ISO		140,0	165,0	20,0	SI 140/165x19,0	ISO
45,0	65,0	13,0	SI 45/65x12,0			143,0	151,0	14,5	SI 143/151x13,5	
45,0	65,0	11,0	SI 45/65x10,0			150,0	170,0	13,0	SI 150/170x12,0	
45,0	65,0	14,5	SI 45/65x13,5			150,0	170,0	14,5	SI 150/170x13,5	
46,0	56,0	8,0	SI 46/56x7,2			150,0	170,0	16,0	SI 150/170x15,0	
50,0	60,0	8,0	SI 50/60x7,2	ISO		160,0	180,0	13,0	SI 160/180x12,0	

50,0	60,0	11,0	SI 50/60x10,0			160,0	180,0	16,0	SI 160/180x15,0	
50,0	60,0	13,0	SI 50/60x12,0			160,0	185,0	20,0	SI 160/185x19,0	ISO
50,0	62,0	9,0	SI 50/62x8,0			160,0	190,0	25,0	SI 160/190x24,0	ISO
50,0	62,0	10,5	SI 50/62x9,5			170,0	190,0	13,0	SI 170/190x12,0	
50,0	65,0	11,0	SI 50/65x10,0			170,0	190,0	16,0	SI 170/190x15,0	
50,0	65,0	12,5	SI 50/65x11,5	ISO		180,0	200,0	13,0	SI 180/200x12,0	
50,0	68,0	10,0	SI 50/68x9,0			180,0	200,0	16,0	SI 180/200x15,0	
50,0	70,0	11,0	SI 50/70x10,0			180,0	200,0	20,0	SI 180/200x19,0	
50,0	70,0	13,0	SI 50/70x12,0			180,0	205,0	20,0	SI 180/205x19,0	ISO
50,0	70,0	14,5	SI 50/70x13,5			180,0	210,0	25,0	SI 180/210x24,0	ISO
55,0	63,0	13,0	SI 55/63x12,0			190,0	210,0	13,0	SI 190/210x12,0	
55,0	65,0	8,0	SI 55/65x7,2			190,0	210,0	16,0	SI 190/210x15,0	
55,0	65,0	11,0	SI 55/65x10,0			200,0	220,0	13,0	SI 200/220x12,0	
55,0	65,0	13,0	SI 55/65x12,0			200,0	220,0	16,0	SI 200/220x15,0	
55,0	65,0	14,5	SI 55/65x14,5			200,0	225,0	20,0	SI 200/225x19,0	ISO
55,0	67,0	11,0	SI 55/67x10,0			200,0	230,0	25,0	SI 200/230x24,0	ISO
55,0	70,0	11,0	SI 55/70x10,0			210,0	230,0	13,0	SI 210/230x12,0	
55,0	70,0	13,0	SI 55/70x12,0			210,0	230,0	15,0	SI 210/230x14,0	
55,0	75,0	13,0	SI 55/75x12,0			210,0	230,0	16,0	SI 210/230x15,0	
55,0	75,0	14,5	SI 55/75x13,5			210,0	235,0	26,0	SI 210/235x25,0	
56,0	66,0	11,0	SI 56/66x10,0			220,0	240,0	13,0	SI 220/240x12,0	
56,0	71,0	11,0	SI 56/71x10,0			220,0	240,0	16,0	SI 220/240x15,0	
56,0	71,0	12,5	SI 56/71x11,5	ISO		220,0	250,0	19,0	SI 220/250x18,0	
56,0	76,0	13,0	SI 56/76x12,0			220,0	250,0	25,0	SI 220/250x24,0	ISO

56,0	76,0	14,5	SI 56/76x13,5			230,0	250,0	13,0	SI 230/250x12,0	
56,0	76,0	16,0	SI 56/76x15,0	ISO		240,0	260,0	13,0	SI 240/260x12,0	
60,0	70,0	8,0	SI 60/70x7,2			240,0	260,0	16,0	SI 240/260x15,0	
60,0	70,0	11,0	SI 60/70x10,0			240,0	270,0	19,0	SI 240/270x18,0	
60,0	70,0	13,0	SI 60/70x12,0			250,0	270,0	13,0	SI 250/270x12,0	
60,0	72,0	9,0	SI 60/72x8,0			250,0	270,0	16,0	SI 250/270x15,0	
60,0	72,0	10,0	SI 60/72x9,0			250,0	280,0	25,0	SI 250/280x24,0	ISO
60,0	75,0	11,0	SI 60/75x10,0			270,0	300,0	19,0	SI 270/300x18,0	
60,0	75,0	13,0	SI 60/75x12,0			280,0	305,0	16,0	SI 280/305x15,0	
60,0	77,0	12,0	SI 60/77x11,0			280,0	310,0	25,0	SI 280/310x24,0	ISO
60,0	80,0	13,0	SI 60/80x12,0			320,0	360,0	32,0	SI 320/360x31,0	ISO
60,0	80,0	14,5	SI 60/80x13,5			360,0	400,0	32,0	SI 360/400x31,0	ISO